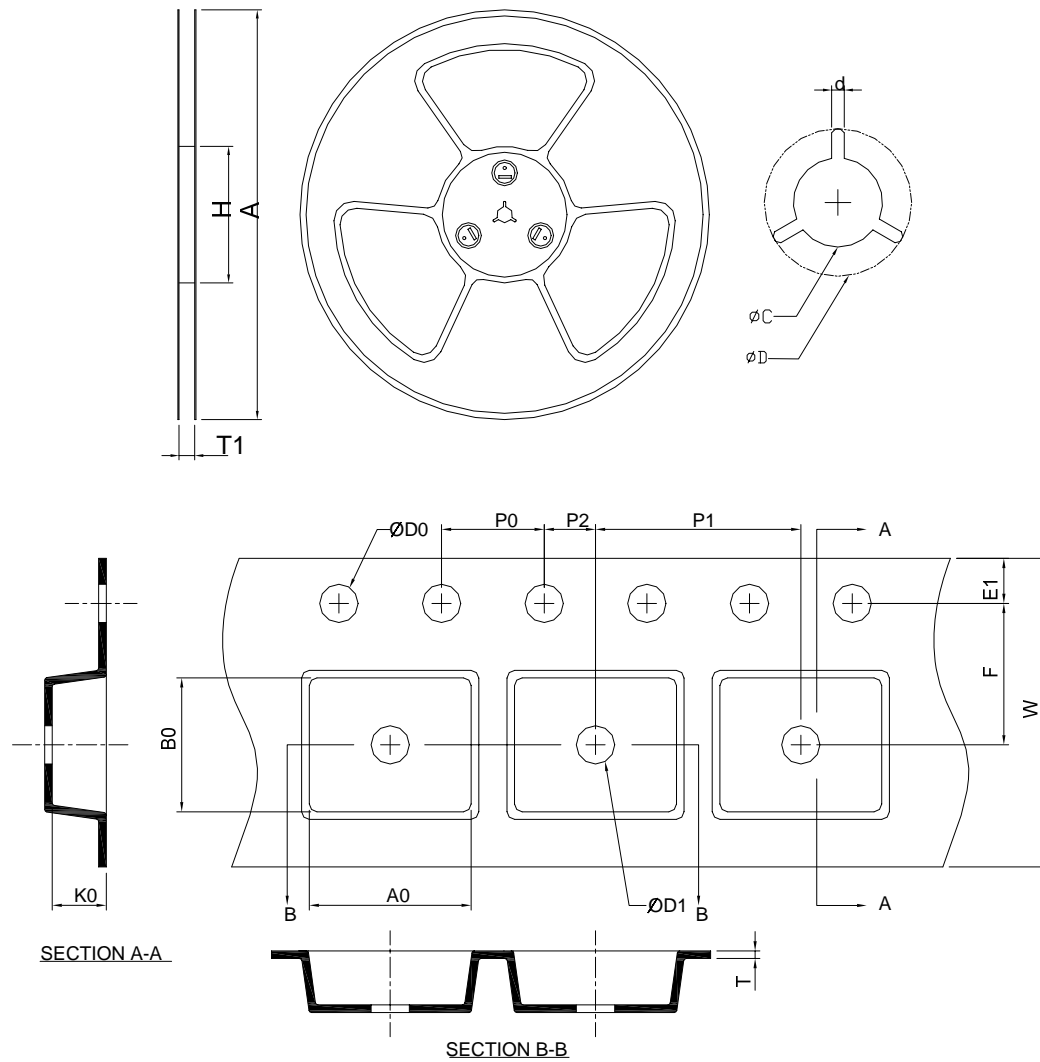
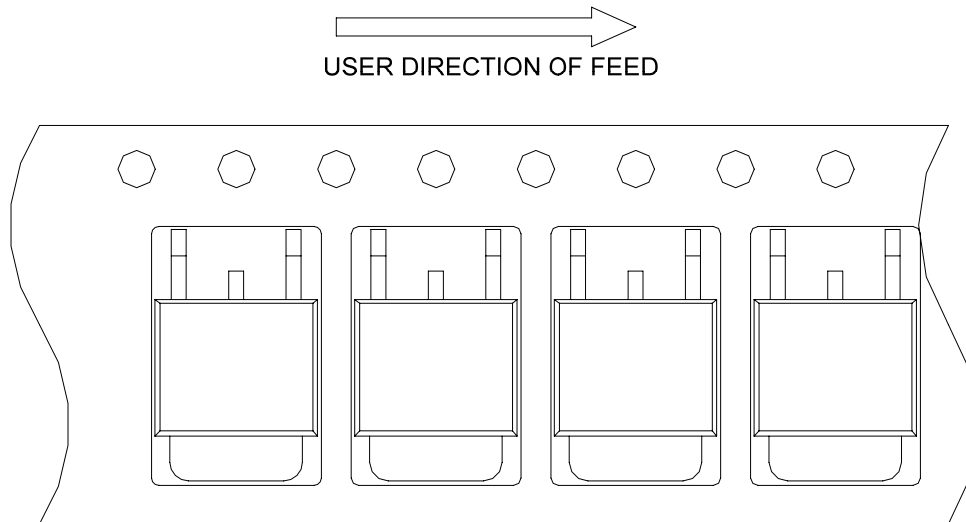


A. Reel & Carrier spec. :



Application	A	H	T1	C	d	D	W	E1	F
TO-252-2	330.0±2.0 0	50 MIN.	16.4+2.0 0 -0.00	13.0+0.5 0 -0.20	1.5 MIN.	20.2 MIN.	16.0±0.3 0	1.75±0.1 0	7.50±0.1 0
	P0	P1	P2	D0	D1	T	A0	B0	K0
	4.0±0.10	8.0±0.10	2.0±0.10	1.5+0.10 -0.00	1.5 MIN.	0.6+0.00 -0.40	6.80±0.2 0	10.40±0. 20	2.50±0.2 0

B. Taping direction :



C. Device per reel :

Package Type	Unit	Quantity
TO-252-2	Tape & Reel	2500