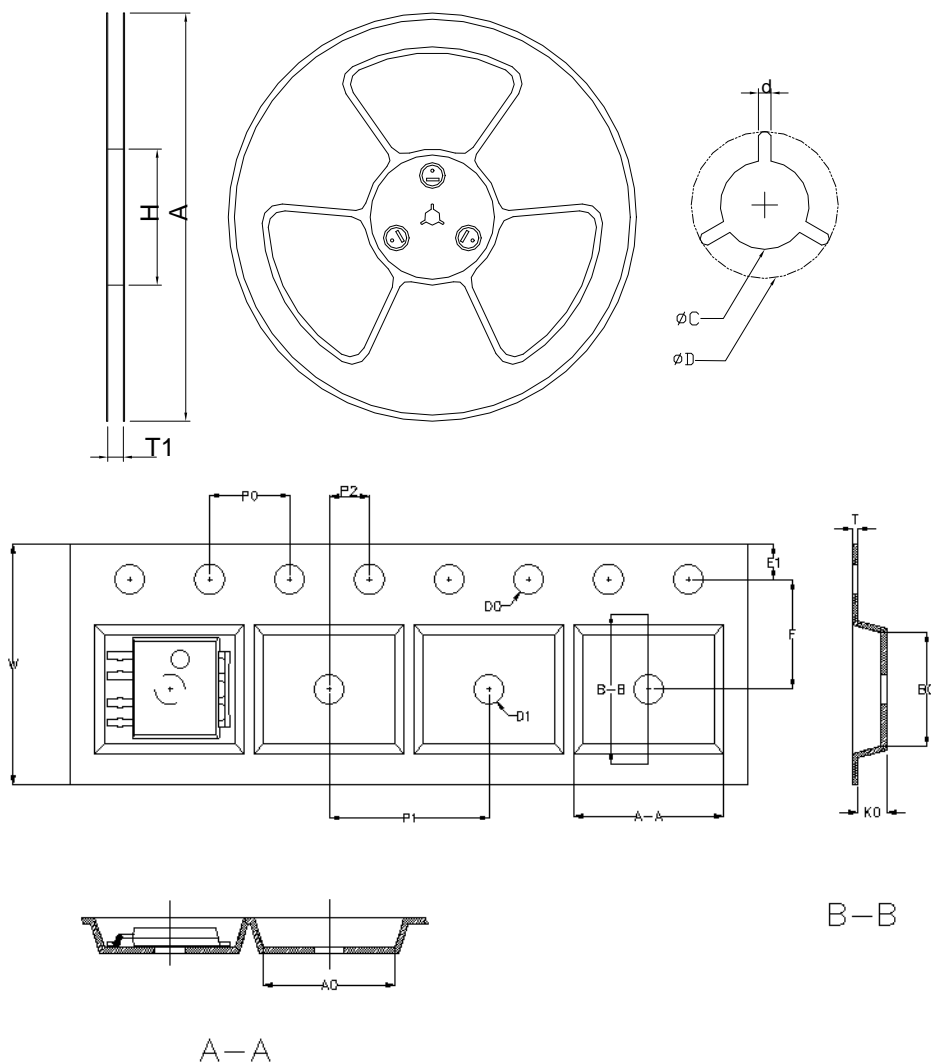


A. Reel & Carrier spec. :

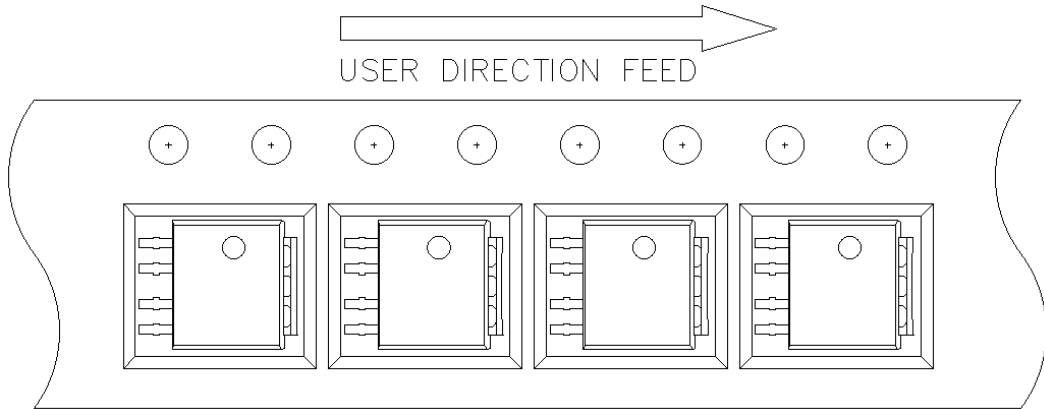


B-B

A-A

Application	A	H	T1	C	d	D	W	E1	F
DFN3x3H-8_EP2	330.0±2.00	100±1.0	12.4 MIN.	13.0+0.5 -0.2	2.0±0.5	22.0±0.5 0	12.0±0.3 0 -0.10	1.75±0.1 0	5.50±0.1 0
	P0	P1	P2	D0	D1	T	A0	B0	K0
	4.00±0.05	8.00±0.05	2.00±0.05	1.50+0.10 -0.00	1.5+0.25 -0.00	0.30±0.05	6.58±0.10	5.50±0.10	1.45±0.10

B. Taping direction :



C. Device per reel :

Package Type	Unit	Quantity
LFPAK	Tape & Reel	4000