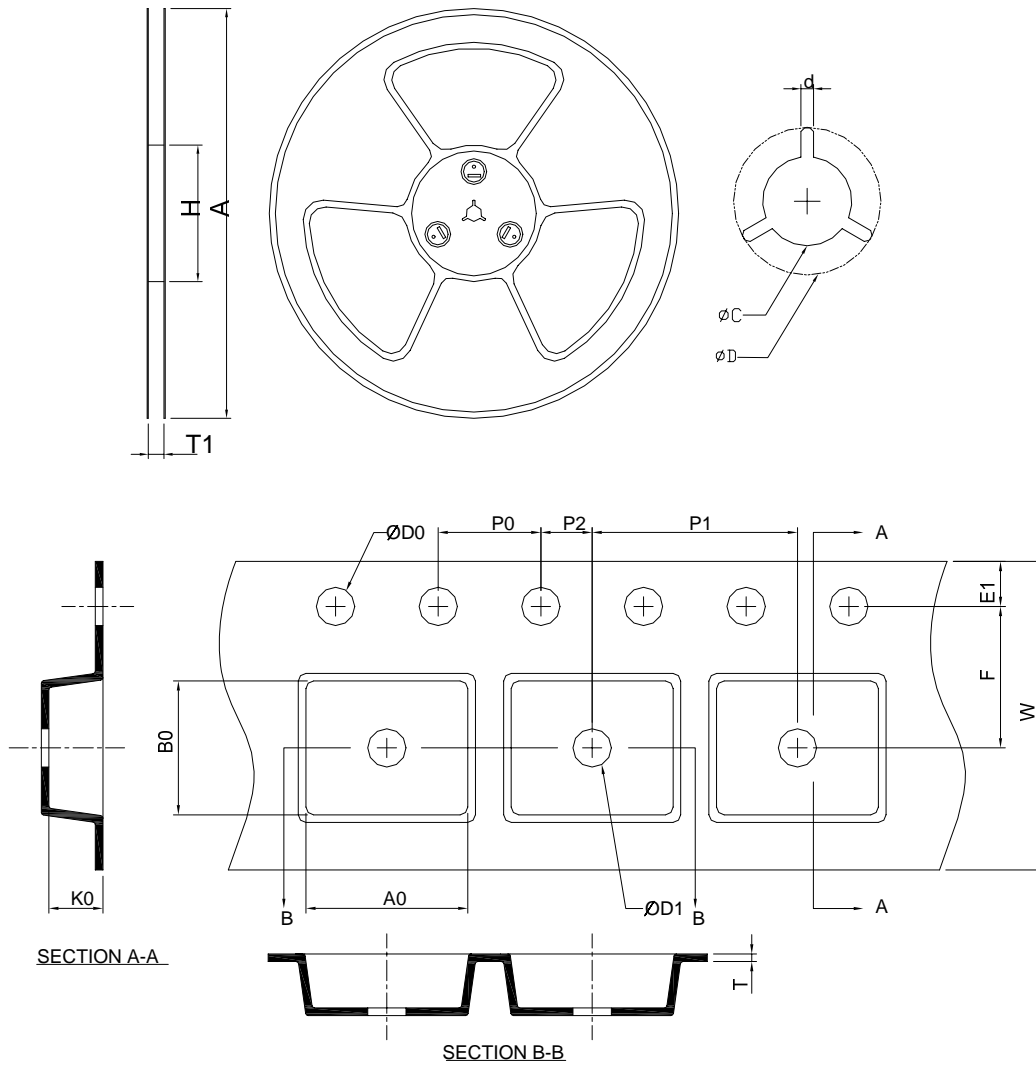
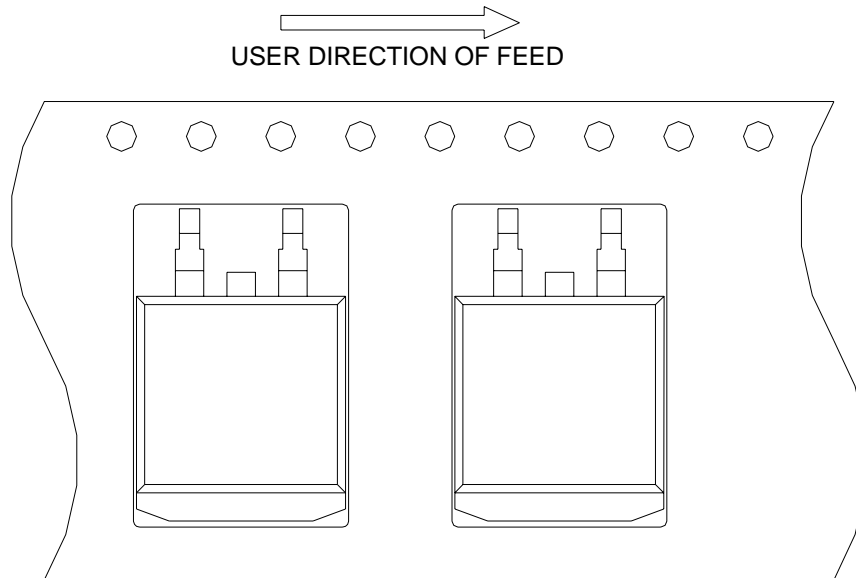


A. Reel & Carrier spec. :



Application	A	H	T1	C	d	D	W	E1	F
TO-263-2	330.0± 2.00	50 MIN.	24.4+2.0 0 -0.00	13.0+0.5 0 -0.20	1.5 MIN.	20.2 MIN.	24.0±0.3 0	1.75±0.1 0	11.5±0.1 0
	P0	P1	P2	D0	D1	T	A0	B0	K0
	4.0±0. 10	16.0±0.1 0	2.0±0.10	1.5+0.10 -0.00	1.5 MIN.	0.6+0.00 -0.40	10.8±0.2 0	16.1±0.2 0	5.2±0.20

B. Taping direction :



C. Device per reel :

Package Type	Unit	Quantity
TO-263-2	Tape & Reel	800