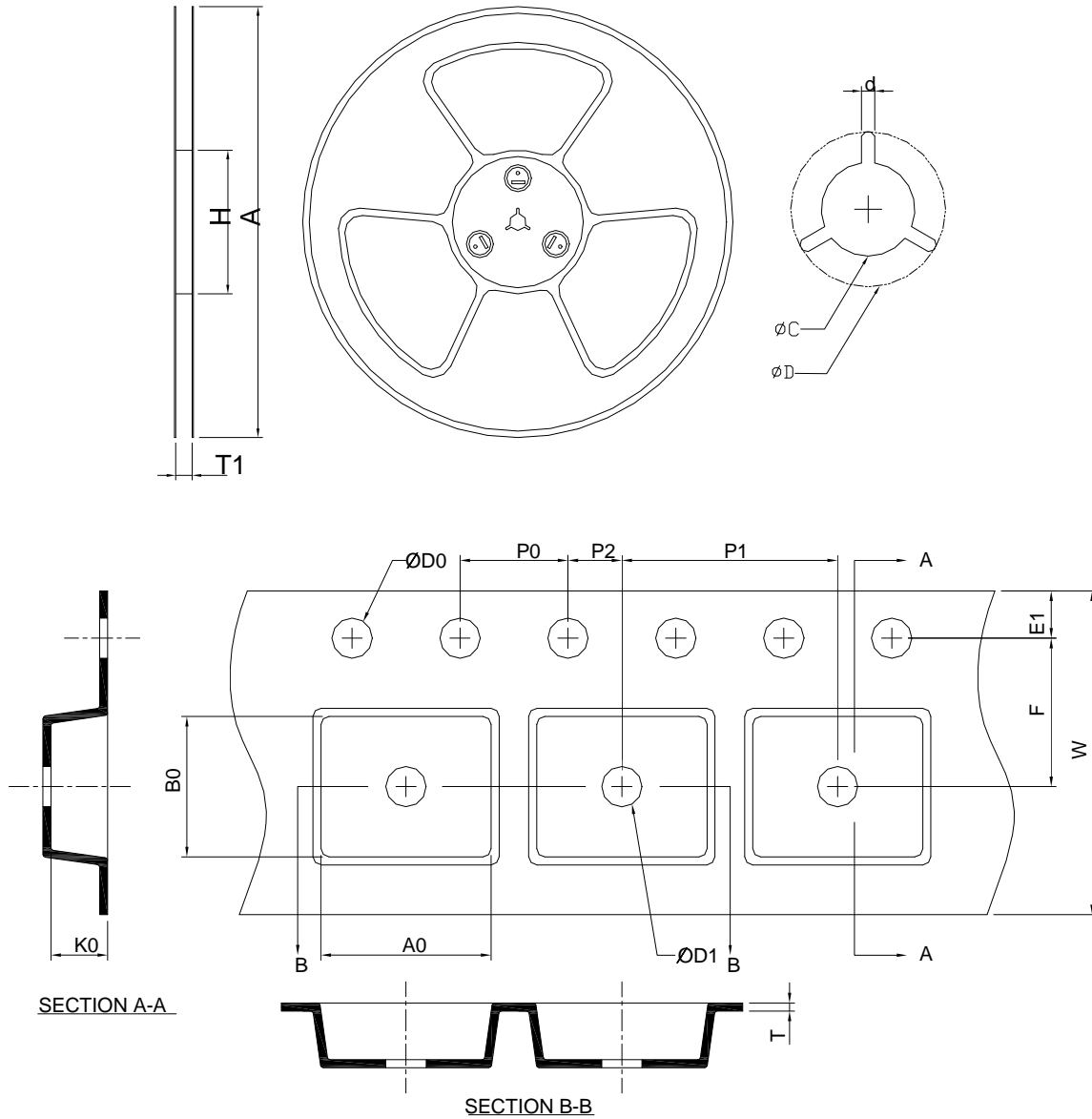
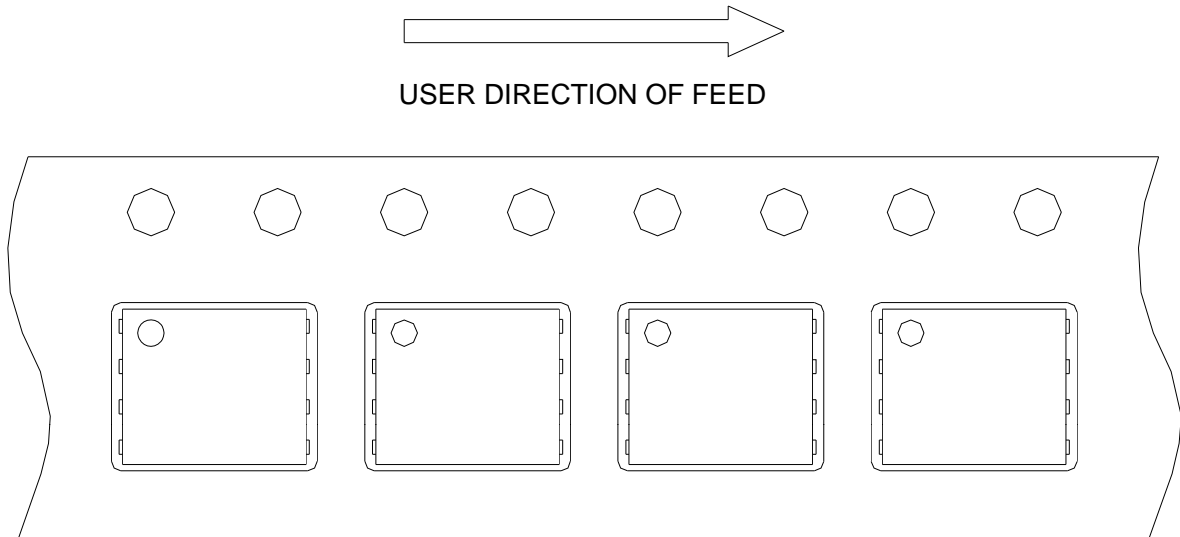


A. Reel & Carrier spec. :



Application	A	H	T1	C	d	D	W	E1	F
DFN5x6C-8_EP2	330.0±2.00	50 MIN.	12.4+2.00 -0.00	13.0+0.50 -0.20	1.5 MIN.	20.2 MIN.	12.0±0.30	1.75±0.10	5.5±0.05
	P0	P1	P2	D0	D1	T	A0	B0	K0
	4.0±0.10	8.0±0.10	2.0±0.05	1.5+0.10 0 -0.00	1.5 MIN.	0.6 +0.00 -0.4	6.5±0.20	5.3±0.20	1.4±0.20

B. Taping direction :



C. Device per reel :

Package Type	Unit	Quantity
DFN5x6C-8_EP2	Tape & Reel	4000