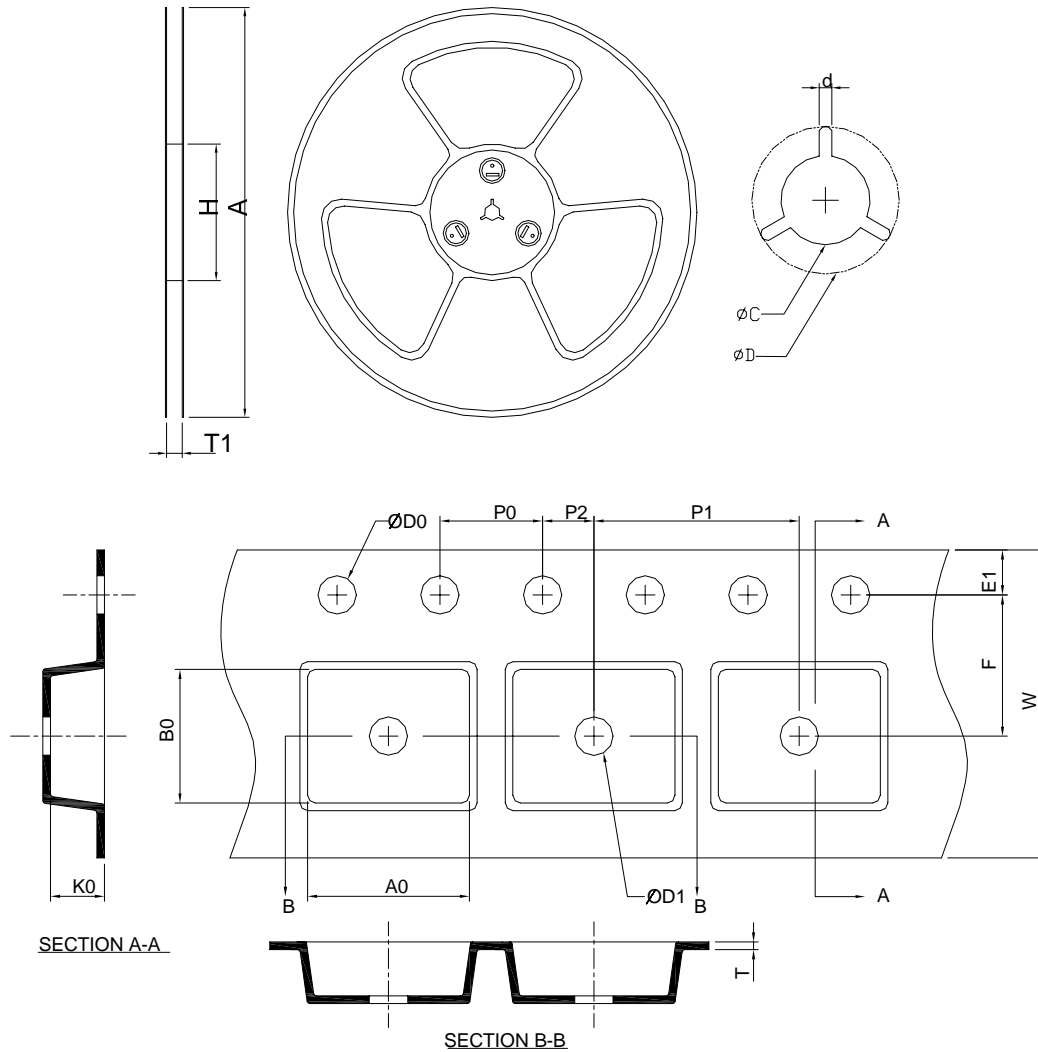
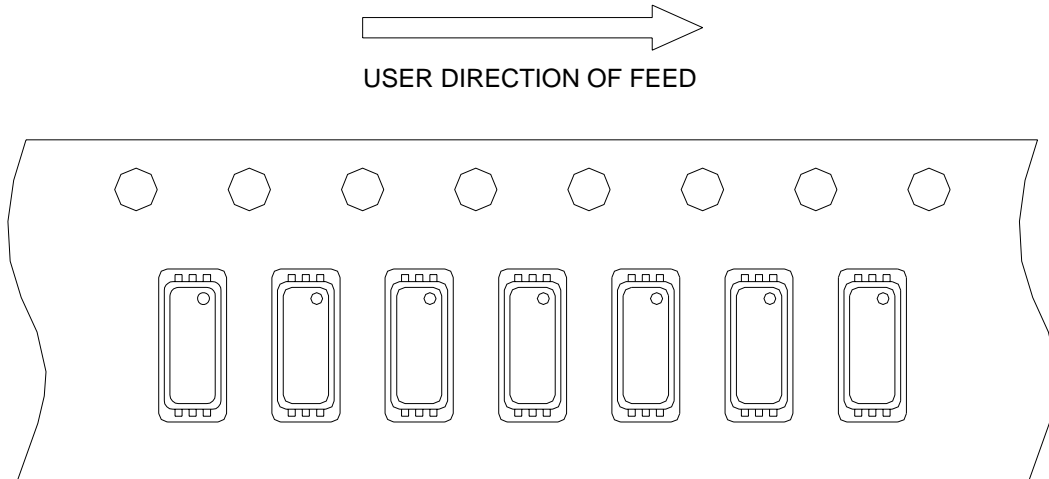


A. Reel & Carrier spec. :



Application	A	H	T1	C	d	D	W	E1	F
DFN2x5A-6_EP	178.0±2.00	50 MIN.	8.4+2.0 0 -0.00	13.0+0.50 -0.20	1.5 MIN.	20.2 MIN.	8.0±0.20	1.75±0.10 0	5.5±0.10
	P0	P1	P2	D0	D1	T	A0	B0	K0
	4.0±0.10	4.0±0.10	2.0±0.05	1.5+0.10 0 -0.00	1.5 MIN.	0.6+0.00 0 -0.40	2.41±0.20 0	5.34±0.20 0	1.10±0.20 0

B. Taping direction :



C. Device per reel :

Package Type	Unit	Quantity
DFN2x5A-6_EP	Tape & Reel	3000