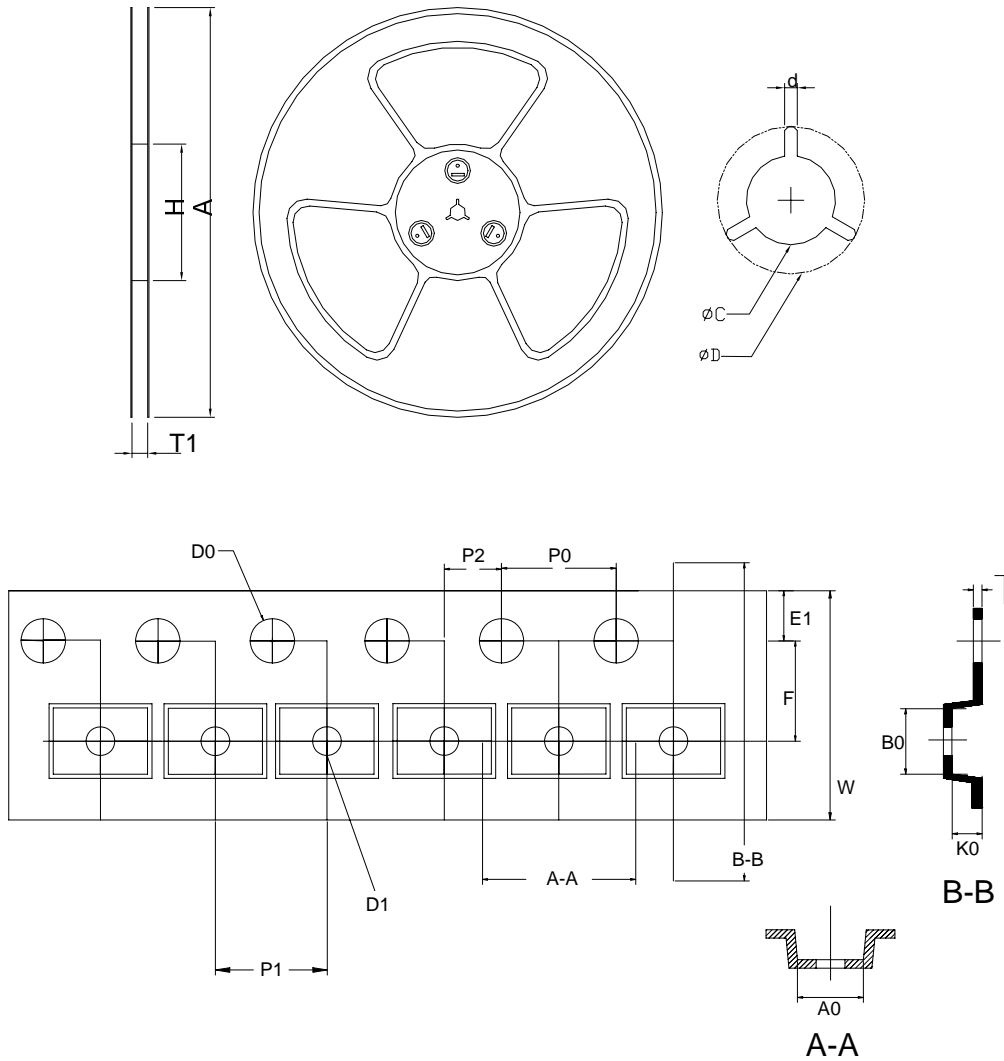
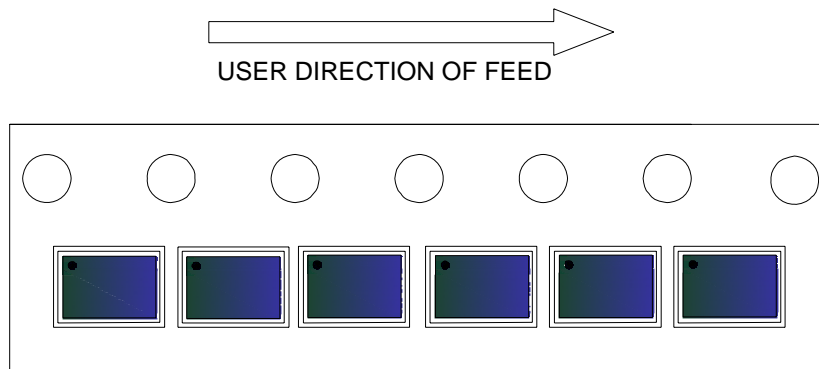


**A. Reel & Carrier spec. :**



Application	A	H	T1	C	d	D	W	E1	F
DFN2x3A-6_EP	178.0± 2.00	50 MIN.	8.4+2.5 0 -0.00	13.0+0. 50 -0.20	1.5 MIN.	20.2 MIN.	8.0±0.30	1.75±0.1 0	3.5±0.05
	P0	P1	P2	D0	D1	T	A0	B0	K0
	4.0±0.1 0	4.0±0.10	2.0±0.05	1.5+0.1 0 -0.00	1.0 MIN.	0.254±0. 02	3.29±0.1 0	2.31±0.1 0	1.10±0.1 0

## B. Taping direction :



## C. Device per reel :

Package Type	Unit	Quantity
DFN2x3A-6_EP	Tape & Reel	3000