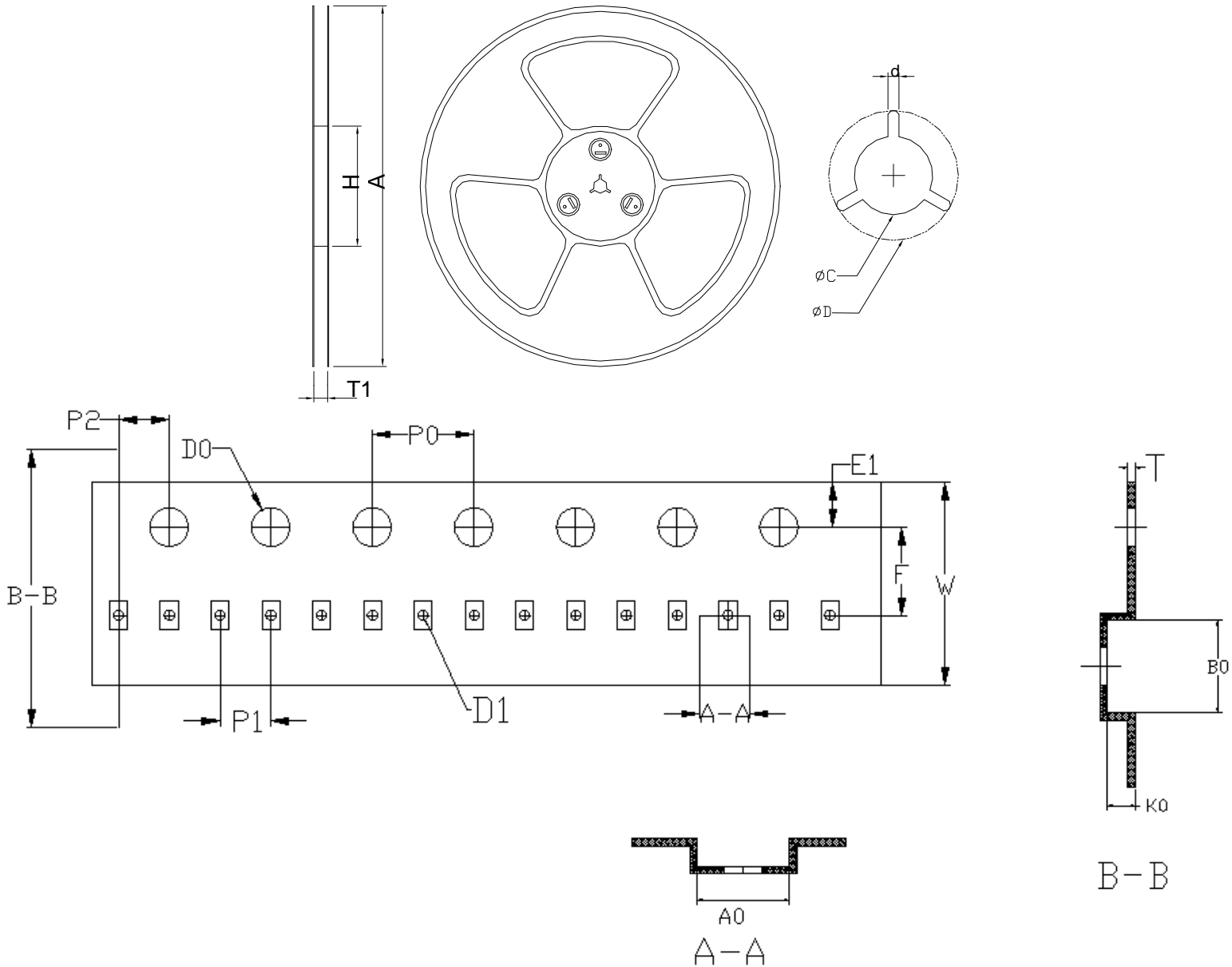
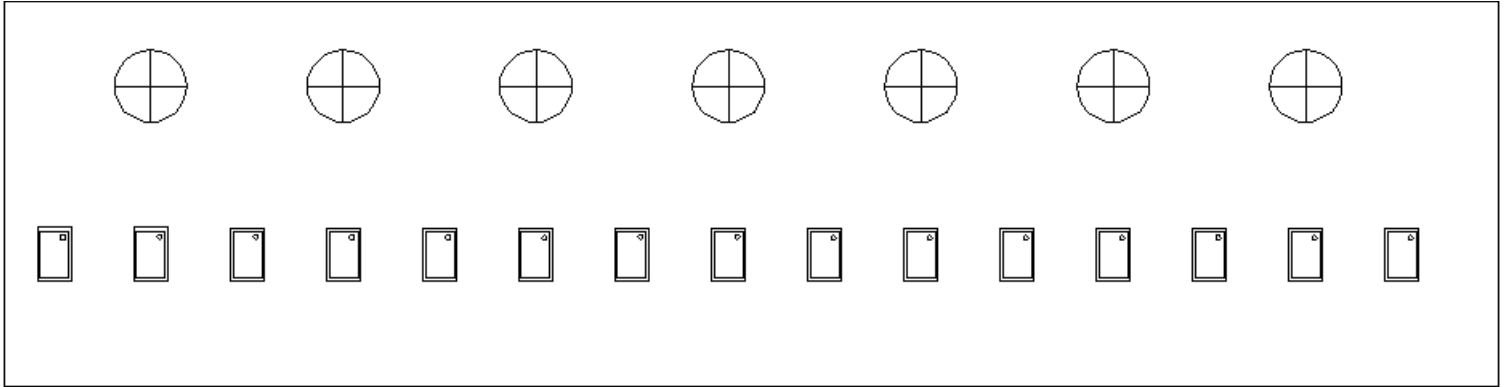
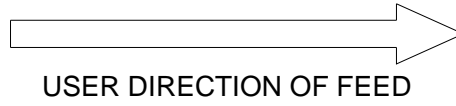


**A. Reel & Carrier spec. :**



Application	A	H	T1	C	d	D	W	E1	F
DFN0.6x1.0A-3_EP	180.0±2.0	60.0±1.0	8.75±1.0	13.1±0.2	1.2±0.1	17.84±0.1	8.0+0.3 -0.1	1.75±0.1	3.5±0.05
	P0	P1	P2	D0	D1	T	A0	B0	K0
	4.0±0.10	2.0±0.1	2.0±0.05	1.5+0.10 -0.00	0.4±0.05.	0.2±0.02	0.7±0.05	1.15±0.05	0.53±0.03

**B. Taping direction :**



**C. Device per reel :**

Package Type	Unit	Quantity
DFN0.6x1.0A-3_EP	Tape & Reel	10000